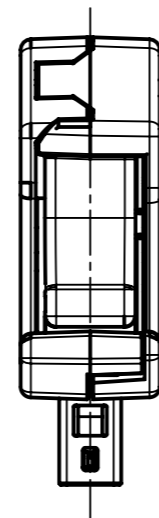
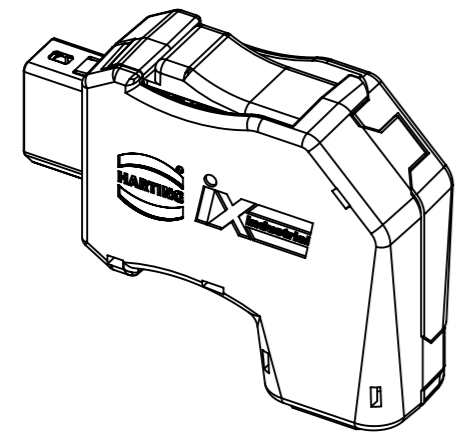
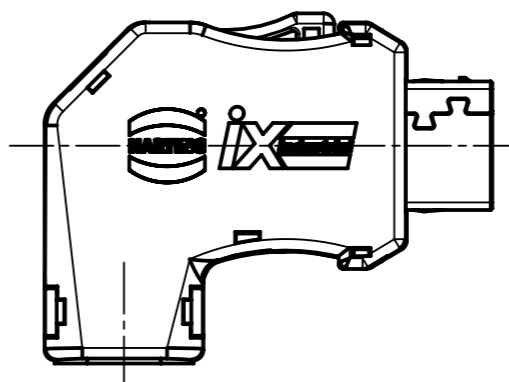
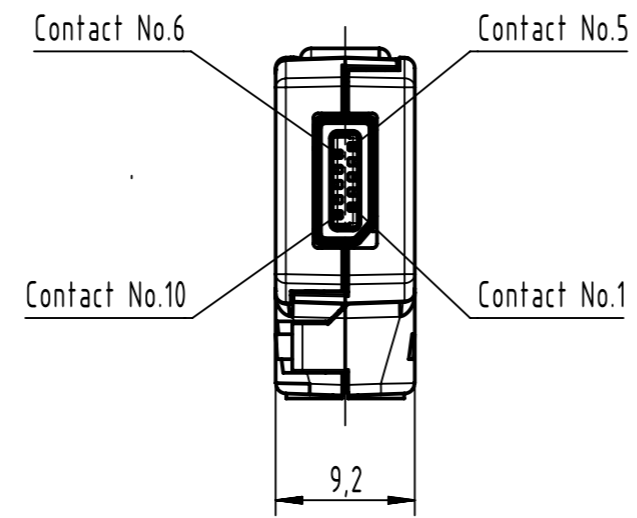
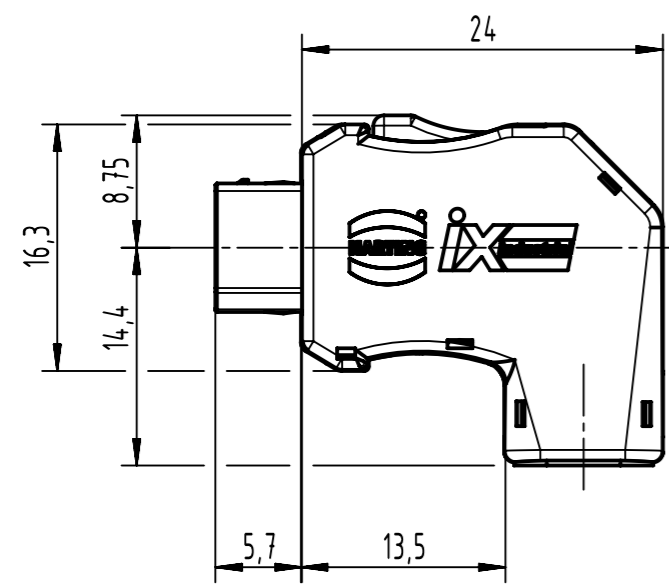
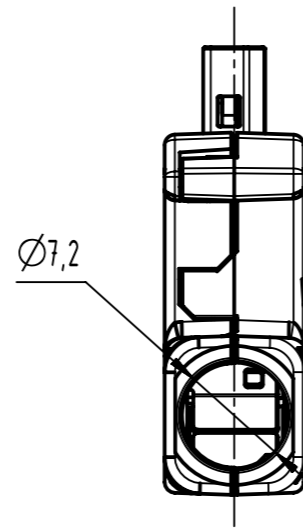


Applicable cable	
Items	Applicable condition
Conductor size	AWG 28-26
Insulation O.D.	Ø0.95 to 1.05 mm
Braid Shield	Tin plating
Sheath O.D.	Ø5.5mm - Ø7.2mm

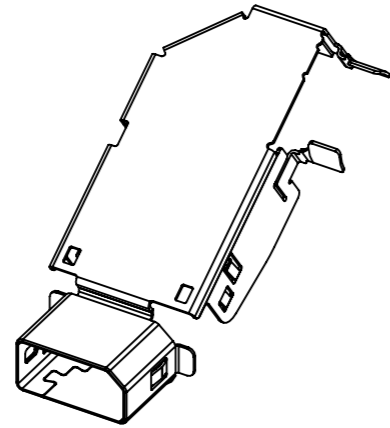


Contact material: copper alloy  
 Contact area: Gold 0.2µm min.  
 Wiring area: Gold 0.03µm min.  
 Under plating: Nickel 2µm min.

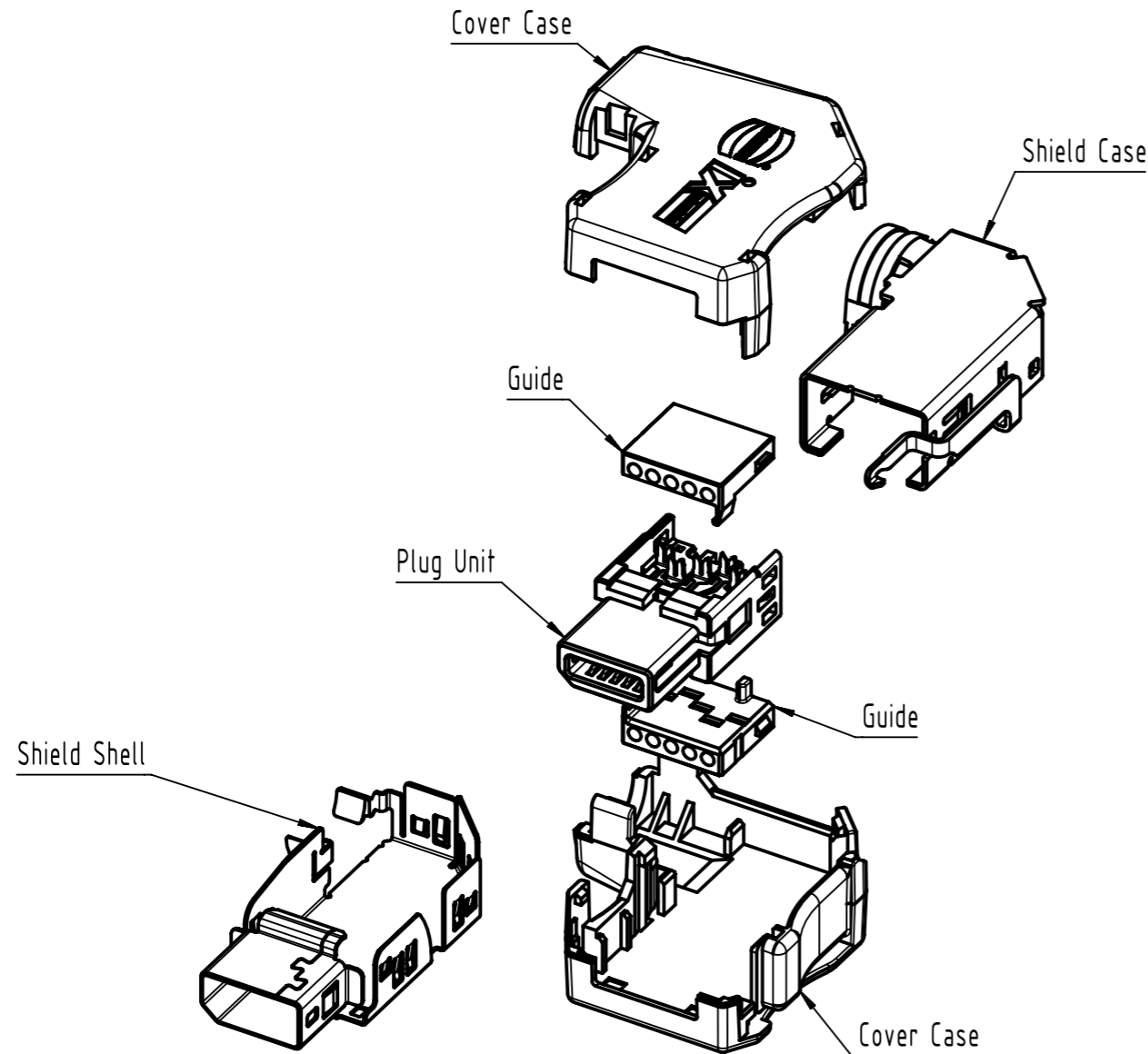
Pin	10/100 Mbit/s	1/10 Gbit/s
1	TX+	BI_DA+
2	TX-	BI_DA-
3	N.C.	N.C.
4	N.C.	BI_DC+
5	N.C.	BI_DC-
6	RX+	BI_DB+
7	RX-	BI_DB-
8	N.C.	N.C.
9	N.C.	BI_DD+
10	N.C.	BI_DD-

	All rights reserved	Created by 406403	Inspected by PREOTU	Standardisation ROEBEN	Date 2022-05-13	State Final Release
	Department EL PD	Title ix Industrial 10A-1 plug A1-I26			Doc-Key / ECM-Nr. 100903356/UGD/000/B 500000216890	
HARTING D-32339 Espelkamp	Type TB	Number 09451812581XL			Rev. B	Page 1/2

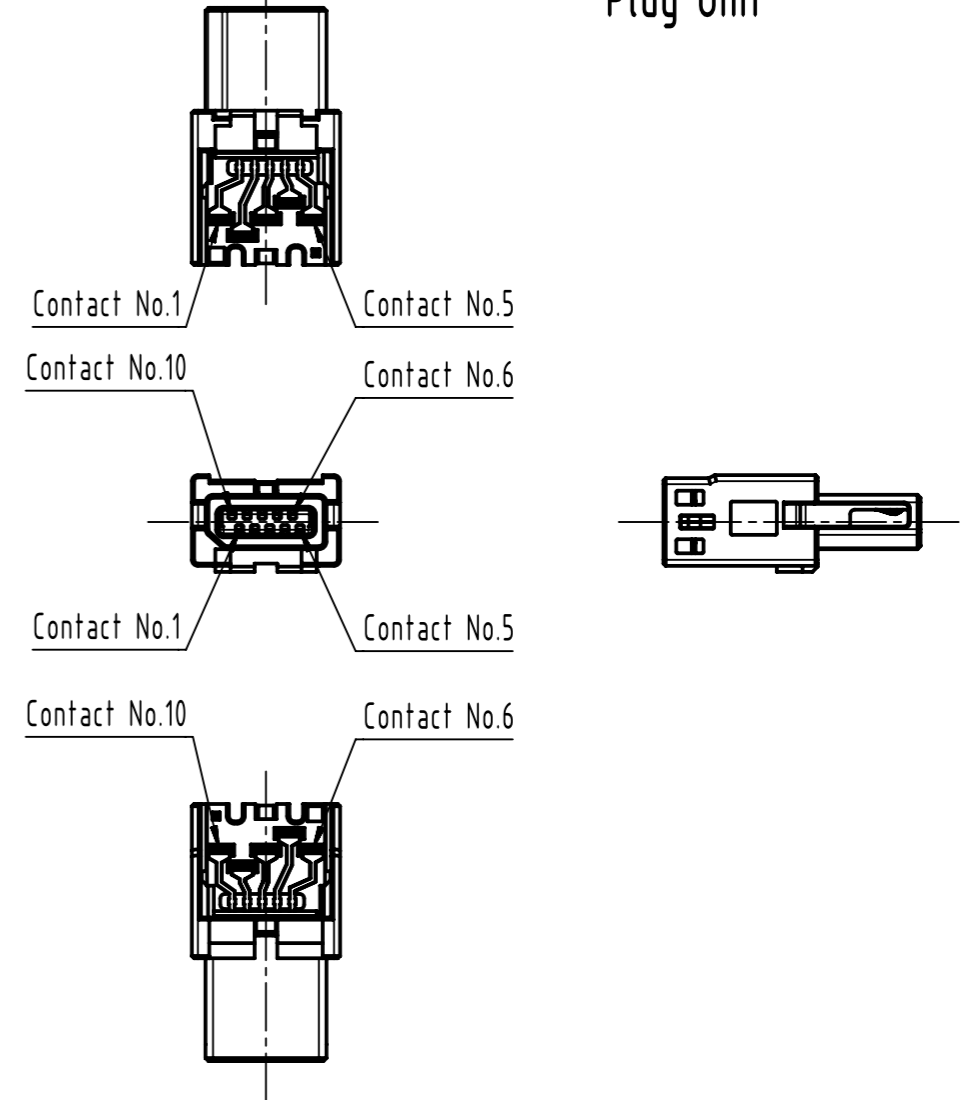
### Shield Shell delivery form



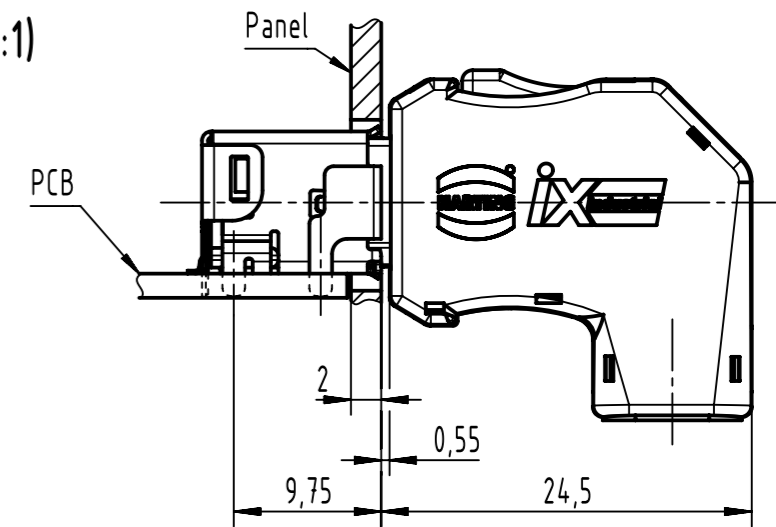
### Product Structure



### Plug Unit



### Mating condition (2:1)



	All rights reserved Department EL PD	Created by 406403	Inspected by PREOTU	Standardisation ROEBEN	Date 2022-05-13	State Final Release	Ref. Sub.
	Title ix Industrial 10A-1 plug A1-I26					Doc-Key / ECM-Nr. 100903356/UGD/000/B 500000216890	
HARTING D-32339 Espelkamp		Type TB	Number 09451812581XL		Rev. B	Page 2/2	